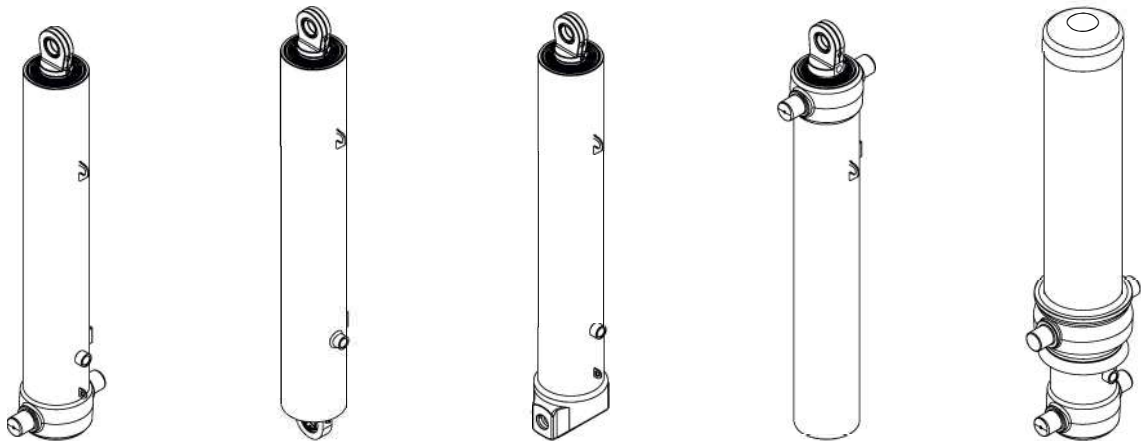




SAMPLE CODING SCHEMA

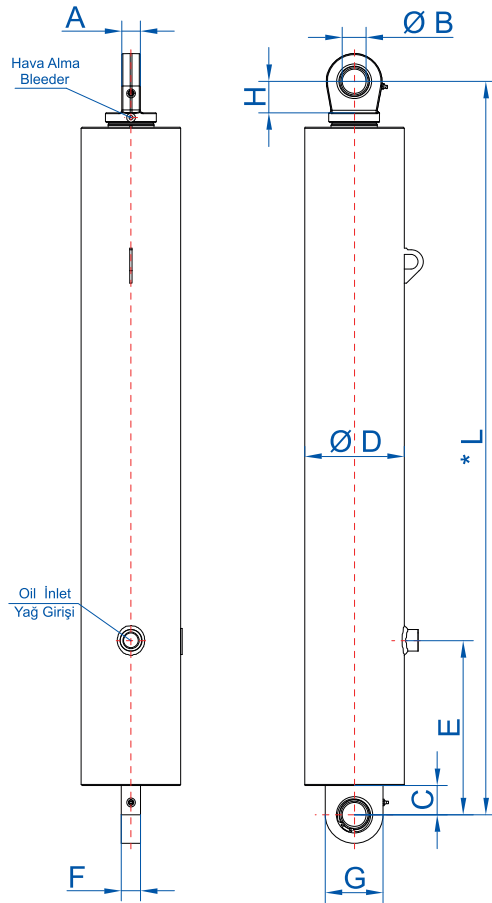
CYLINDER TYPE	NUMBER OF STAGE	TOTAL STROKE	FIRST STAGE DIAMETER	MOUNTING TYPE
LFT	4	3980	155	KR
FRONT LIFTING	7-6-5-4-3-2	REFER TO THE TABLE	230-205-180-155-135-115	KR-BR-RR-RK-KK

CYLINDER MOUNTING TYPES



KR (1)	RR (2)	BR (3)	RK (4)	KK (5)
--------	--------	--------	--------	--------

RR TYPE TELESCOPIC CYLINDER



ROD DIAMETER (mm)	THRUST FORCE (Ton)
Ø230	79
Ø205	62,7
Ø180	48,3
Ø155	35,8
Ø135	27,2
Ø115	19,7
Ø95	13,4
Ø75	8,3
Ø55	4,5

- Çalışma Basıncı / Working Pressure : 190 Bar
- Maksimum Çalışma Basıncı / Maximum Working Pressure : 200 Bar
- Renk / Paint : Ral 9005
- Tüm kademeler sert krom kaplıdır / All stages are hard-chrome plated.
- Silindir boruları EN 10305-1 e göre soğuk çekme St-52 E355+SR sertifikalıdır / All cylinder tubes are St-52 E355+SR cold drawn steel tube according to EN 10305-1 norm
- Tüm bağlantı parçaları dövme çeliktendir / All connection parts are forging steel

* MONTAJ BOYU / INSTALLATION LENGTH L(+20 mm / +40 mm)

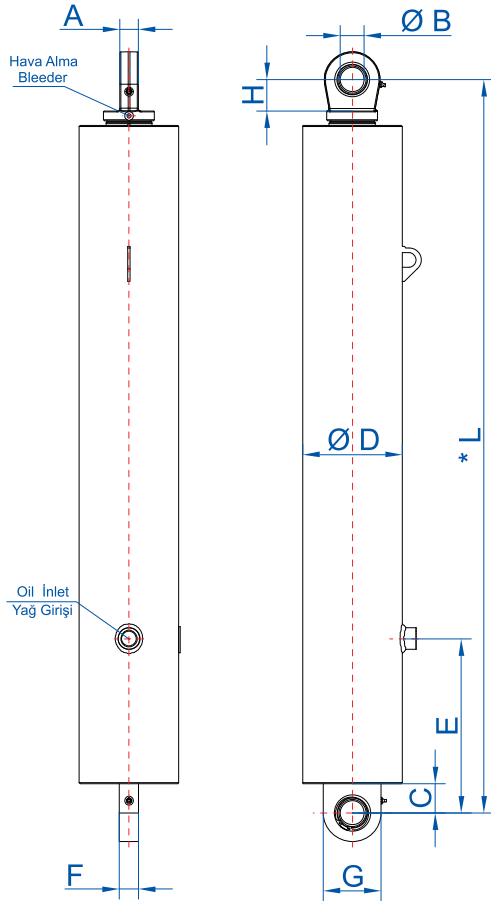
PRODUCT CODE	A	ØB	C	ØD	E	F	G	H	L	OIL INLET	OIL VOLUME (LT)	WEIGHT (KG)
LFT-3.115.2385.RR.1	34	50	60	136	455	32	110	65	1210	R 3/4"	21	84
LFT-3.115.2535.RR.1	34	50	60	136	455	32	110	65	1260	R 3/4"	22	88
LFT-3.115.2685.RR.1	34	50	60	136	455	32	110	65	1310	R 3/4"	24	92
LFT-3.115.2835.RR.1	34	50	60	136	455	32	110	65	1360	R 3/4"	25	95
LFT-3.115.2985.RR.1	34	50	60	136	455	32	110	65	1410	R 3/4"	27	99
LFT-3.115.3135.RR.1	34	50	60	136	455	32	110	65	1460	R 3/4"	28	102
LFT-3.115.3285.RR.1	34	50	60	136	455	32	110	65	1510	R 3/4"	29	105
LFT-4.115.3780.RR.1	34	50	60	136	455	32	110	65	1360	R 3/4"	25	103
LFT-3.135.2385.RR.1	38	50	60	156	455	32	110	65	1215	R 3/4"	30	103
LFT-3.135.2535.RR.1	38	50	60	156	455	32	110	65	1265	R 3/4"	32	106

RR TYPE TELESCOPIC CYLINDER



PRODUCT CODE	A	ØB	C	ØD	E	F	G	H	L	OIL INLET	OIL VOLUME (LT)	WEIGHT (KG)
LFT-3.135.2685.RR.1	38	50	60	156	455	32	110	65	1345	R 3/4"	34	113
LFT-3.135.2835.RR.1	38	50	60	156	455	32	110	65	1365	R 3/4"	36	117
LFT-3.135.2985.RR.1	38	50	60	156	455	32	110	65	1415	R 3/4"	38	122
LFT-3.135.3135.RR.1	38	50	60	156	455	32	110	65	1465	R 3/4"	40	125
LFT-3.135.3285.RR.1	38	50	60	156	455	32	110	65	1515	R 3/4"	42	131
LFT-3.135.3435.RR.1	38	50	60	156	455	32	110	65	1565	R 3/4"	44	135
LFT-3.135.3585.RR.1	38	50	60	156	455	32	110	65	1615	R 3/4"	46	139
LFT-3.135.3735.RR.1	38	50	60	156	455	32	110	65	1665	R 3/4"	47	144
LFT-3.135.3825.RR.1	38	50	60	156	555	32	110	65	1715	R 3/4"	49	150
LFT-3.135.3900.RR.1	38	50	60	156	555	32	110	65	1765	R 3/4"	50	153
LFT-3.135.4050.RR.1	38	50	60	156	555	32	110	65	1815	R 3/4"	52	161
LFT-3.135.4200.RR.1	38	50	60	156	555	32	110	65	1865	R 3/4"	54	165
LFT-4.135.3180.RR.1	34	50	60	156	455	32	110	65	1210	R 3/4"	35	113
LFT-4.135.3380.RR.1	34	50	60	156	455	32	110	65	1260	R 3/4"	37	117
LFT-4.135.3580.RR.1	34	50	60	156	455	32	110	65	1310	R 3/4"	39	123
LFT-4.135.3780.RR.1	34	50	60	156	455	32	110	65	1360	R 3/4"	41	128
LFT-4.135.3980.RR.1	34	50	60	156	455	32	110	65	1410	R 3/4"	43	133
LFT-4.135.4180.RR.1	34	50	60	156	455	32	110	65	1460	R 3/4"	46	139
LFT-4.135.4380.RR.1	34	50	60	156	455	32	110	65	1510	R 3/4"	48	144
LFT-4.135.4580.RR.1	34	50	60	156	455	32	110	65	1560	R 3/4"	50	147
LFT-4.135.4780.RR.1	34	50	60	156	455	32	110	65	1610	R 3/4"	52	152
LFT-3.155.3135.RR.1	43	50	60	181	465	40	120	65	1465	R 1"	54	170
LFT-3.155.3285.RR.1	43	50	60	181	465	40	120	65	1515	R 1"	56	173
LFT-3.155.3435.RR.1	43	50	60	181	465	40	120	65	1565	R 1"	59	180
LFT-3.155.3435.RR.1	43	50	60	181	465	40	120	65	1615	R 1"	62	187
LFT-3.155.3735.RR.1	43	50	60	181	565	40	120	65	1665	R 1"	64	196
LFT-3.155.3825.RR.1	43	50	60	181	565	40	120	65	1715	R 1"	66	200
LFT-3.155.3900.RR.1	43	50	60	181	565	40	120	65	1765	R 1"	67	202
LFT-3.155.4050.RR.1	43	50	60	181	565	40	120	65	1815	R 1"	70	209

RR TYPE TELESCOPIC CYLINDER



ROD DIAMETER (mm)	THRUST FORCE (Ton)
Ø230	79
Ø205	62,7
Ø180	48,3
Ø155	35,8
Ø135	27,2
Ø115	19,7
Ø95	13,4
Ø75	8,3
Ø55	4,5

- Çalışma Basıncı / Working Pressure : 190 Bar
- Maksimum Çalışma Basıncı / Maximum Working Pressure : 200 Bar
- Renk / Paint : Ral 9005
- Tüm kademeler sert krom kaplıdır / All stages are hard-chrome plated.
- Silindir boruları EN 10305-1 e göre soğuk çekme St-52 E355+SR sertifikalıdır / All cylinder tubes are St-52 E355+SR cold drawn steel tube according to EN 10305-1 norm
- Tüm bağlantı parçaları dövme çeliktendir / All connection parts are forging steel

* MONTAJ BOYU / INSTALLATION LENGTH L(+20 mm / +40 mm)

PRODUCT CODE	A	ØB	C	ØD	E	F	G	H	L	OIL INLET	OIL VOLUME (LT)	WEIGHT (KG)
LFT-3.155.4200.RR.1	43	50	60	181	565	40	120	65	1865	R 1"	72	215
LFT-4.155.3580.RR.1	38	50	60	181	465	40	120	65	1315	R 1"	54	162
LFT-4.155.3780.RR.1	38	50	60	181	465	40	120	65	1365	R 1"	57	166
LFT-4.155.3980.RR.1	38	50	60	181	465	40	120	65	1415	R 1"	60	174
LFT-4.155.4180.RR.1	38	50	60	181	465	40	120	65	1465	R 1"	63	180
LFT-4.155.4380.RR.1	38	50	60	181	465	40	120	65	1515	R 1"	66	188
LFT-4.155.4580.RR.1	38	50	60	181	465	40	120	65	1565	R 1"	69	194
LFT-4.155.4780.RR.1	38	50	60	181	465	40	120	65	1615	R 1"	72	200
LFT-4.155.4980.RR.1	38	50	60	181	565	40	120	65	1665	R 1"	75	209
LFT-4.155.5100.RR.1	38	50	60	181	565	40	120	65	1715	R 1"	77	217

RR TYPE TELESCOPIC CYLINDER



PRODUCT CODE	A	ØB	C	ØD	E	F	G	H	L	OIL INLET	OIL VOLUME (LT)	WEIGHT (KG)
LFT-4.155.5200.RR.1	38	50	60	181	565	40	120	65	1765	R 1"	78	220
LFT-4.155.5400.RR.1	38	50	60	181	565	40	120	65	1815	R 1"	81	226
LFT-4.155.5600.RR.1	38	50	60	181	565	40	120	65	1865	R 1"	84	233
LFT-4.155.5800.RR.1	38	50	60	181	565	40	120	65	1915	R 1"	87	240
LFT-4.155.5225.RR.1	34	50	60	181	465	40	120	65	1460	R 1"	69	192
LFT-4.155.5475.RR.1	34	50	60	181	465	40	120	65	1510	R 1"	72	199
LFT-4.155.5725.RR.1	34	50	60	181	465	40	120	65	1560	R 1"	75	207
LFT-4.180.3980.RR.1	43	50	60	206	470	40	120	65	1415	R 1"	80	220
LFT-4.180.4180.RR.1	43	50	60	206	470	40	120	65	1465	R 1"	85	230
LFT-4.180.4380.RR.1	43	50	60	206	470	40	120	65	1515	R 1"	89	240
LFT-4.180.4580.RR.1	43	50	60	206	470	40	120	65	1565	R 1"	93	247
LFT-4.180.4780.RR.1	43	50	60	206	470	40	120	65	1615	R 1"	97	255
LFT-4.180.4980.RR.1	43	50	60	206	570	40	120	65	1665	R 1"	101	266
LFT-4.180.5100.RR.1	43	50	60	206	570	40	120	65	1715	R 1"	103	275
LFT-4.180.5200.RR.1	43	50	60	206	570	40	120	65	1765	R 1"	105	280
LFT-4.180.5400.RR.1	43	50	60	206	570	40	120	65	1815	R 1"	110	288
LFT-4.180.5600.RR.1	43	50	60	206	570	40	120	65	1865	R 1"	114	296
LFT-4.180.5800.RR.1	43	50	60	206	570	40	120	65	1915	R 1"	118	304
LFT-4.205.4380.RR.1	43	50	80	230	475	50	140	100	1575	R 1"	117	291
LFT-4.205.4580.RR.1	43	50	80	230	475	50	140	100	1625	R 1"	122	302
LFT-4.205.4780.RR.1	43	50	80	230	475	50	140	100	1675	R 1"	128	313
LFT-4.205.4980.RR.1	43	50	80	230	475	50	140	100	1725	R 1"	133	332
LFT-4.205.5100.RR.1	43	50	80	230	475	50	140	100	1775	R 1"	136	340
LFT-5.205.6225.RR.1	43	50	80	230	475	40	140	100	1720	R 1"	148	346
LFT-5.205.6375.RR.1	43	50	80	230	475	40	140	100	1775	R 1"	152	357
LFT-5.205.6500.RR.1	43	50	80	230	475	40	140	100	1820	R 1"	155	367